

ProTec 120 – the compact crash barrier.

T1 / W1 / ASI A and T3 / W2 / ASI A as well as H1 / W5 / ASI A



Safety by Berghaus





ProTec 120 is a crash barrier for many applications.

Mobile crash barriers in roadworks clearly enhance traffic safety. Their containment capacity prevents road users from leaving the carriageway and colliding with oncoming traffic, while also providing safe working conditions on site.

Universal possible uses make the mobile crash barrier ProTec 120 with its low structural width of 30cm and weight of 163kg per meter the ideal crash barrier for many applications pursuant to ZTV-SA. Thanks to the good impact test results, the crash barrier can be positioned between the roadworks and oncoming or parallel flowing traffic, and also between contraflow traffic.

No matter what your particular application is, mobile crash barriers in the ProTec family always put you on the safe side!

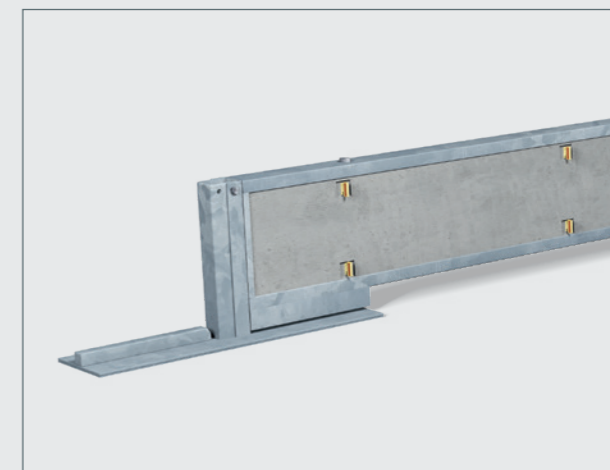
Advantages of the ProTec 120 at a glance:

- featured in the BAST list for mobile road restraint systems
- narrow structural width needs minimum space requirements
- quick and easy installation
- tested reflectors mounted in protected recess
- generous water drainage opening under the crash barrier
- no risk of aquaplaning or of dirt accumulating in front of the crash barrier
- H1-tested, therefore no tipping length limitation (KLB element) necessary
- rubber-based stands protect the road surface
- force-fit connections available for all ProTec systems
- low element weight for high transport loading volume
- connection and special elements for joining to all common systems

The ProTec family consists of several successfully tested mobile crash barriers – for all application areas of mobile road restraint systems pursuant to the ZTV-SA. Despite differing shapes and structures, all mobile crash barriers in the ProTec family can be combined with each other and fitted together with force-fit connections. Mobile crash barriers in the ProTec family can also be combined with stationary restraint systems or mobile systems by other manufacturers with a force-fit connection.

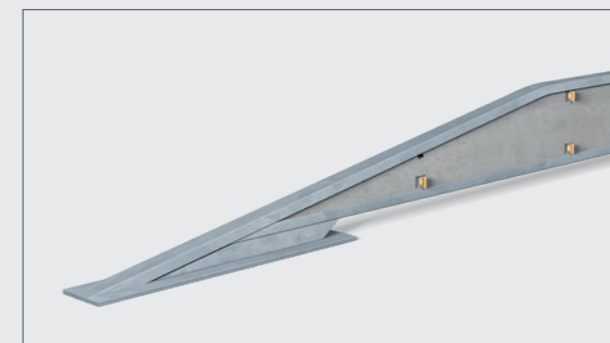
ProTec 120: Safe – compact – economical.

Technical data	
Containment level	T1 / T3 / H1
Effective range	W1 / W2 / W5
ASI value	A / A / A
Structural width	0.30m
Height	0.60m
Element length	10 m
Minimum installation length	120m / 150m
Ground anchoring	no / start element yes
Weight per m	163kg
Test date	21/06/2007; 24.+25/09/2007
Test number	BAST 2007 7E 57 / BAST 2008 7E 54



Standard element 10 m

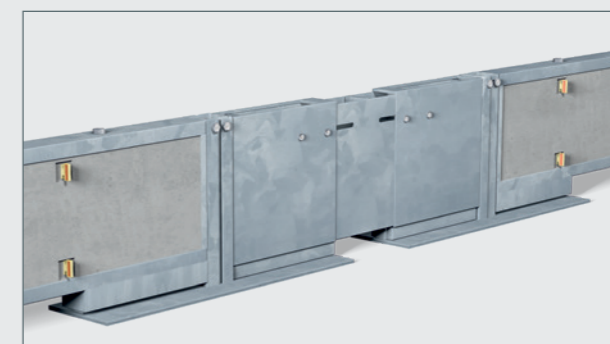
Test conditions as per DIN EN 1317-2		
Acceptance test	TB 21 / TB41	TB 11 / TB 42
Test vehicle	PKW / LKW	PKW / LKW
Weight	1.3t / 10t	0.9t / 10t
Impact angle	8° / 8°	20° / 15°
Speed	80km/h / 70km/h	100km/h / 70km/h



Start/end element

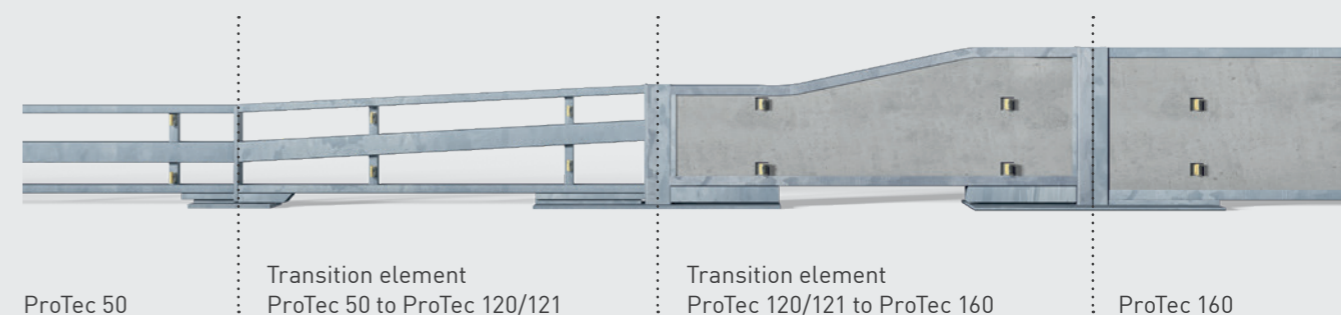


Transition to stationary crash barrier



Dilatation element

Combination example for a force-fit connection across the whole ProTec family.



ProTec 50

Transition element
ProTec 50 to ProTec 120/121

Transition element
ProTec 120/121 to ProTec 160

ProTec 160



Peter Berghaus GmbH

Herrenhöhe 6

51515 Kürten-Herweg

P +49 (0)2207 9677-0

F +49 (0)2207 9677-80

mail@berghaus-verkehrstechnik.de

www.berghaus-verkehrstechnik.de



Subject to technical changes and errors.
Products may differ from illustrations shown.
All details are approximate.